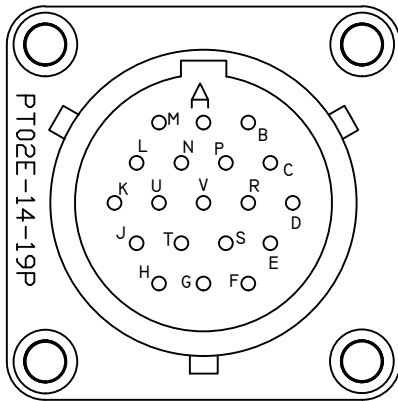
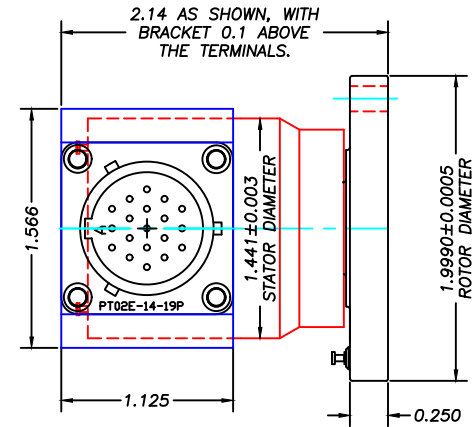
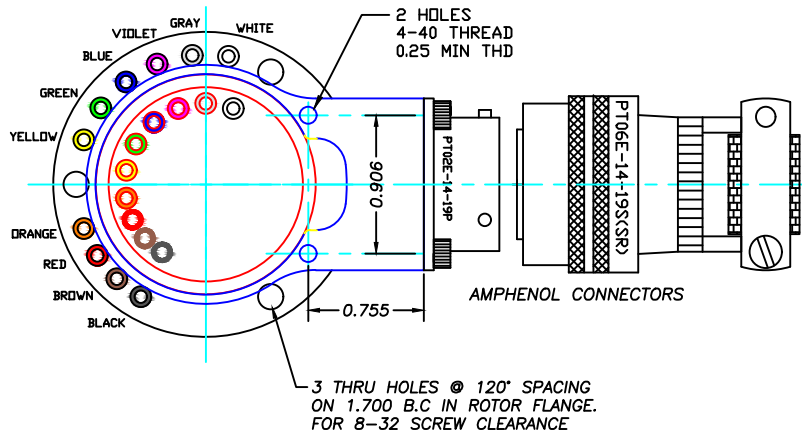


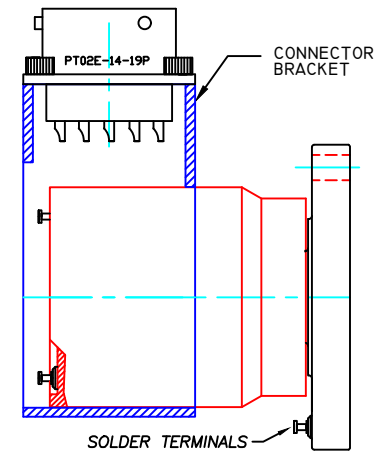
C456316A

DATE	BY	REVISION	LDC.

A MODEL SR10M/EL2 & C574154B CONNECTOR BRACKET & AMPHENOL PT02E-14-19P AND PT06E-14-19S(SR) CONNECTORS. THIS MODEL HAS 10 SLIP RINGS & EXTENDED LIFE CONTACTS.



CONNECTOR CONTACT	SOLDER TERMINAL COLOR
A	BLACK
B	BROWN
C	RED
D	ORANGE
E	YELLOW
F	GREEN
G	BLUE
H	VIOLET
I	GREY
J	WHITE
K	
L	NONE
M	NONE
N	NONE
P	NONE
R	NONE
S	NONE
T	NONE
U	NONE
V	NONE



THE CONNECTOR BRACKET IS GLUED ONTO THE SLIP RING STATOR WITH AN ADHESIVES SUCH AS HARDMAN 4002 EPOXY OR A LOCTITE RETAINING COMPOUND.

MICHIGAN
CIENTIFIC CORPORATION
08500 ANCE ROAD
CHARLEVOIX, MI 49720
PHONE: (231)547-5511 FAX: (231)547-7070

TOLERANCES .xxxx ± --- .xxx ± --- .xx ± --- ANGLES ± ° --- SURFACE FINISH ---RMS	DESIGNED BY: KDL	DATE: 11-1-22	SCALE:
DRAWING NO.: C456316A	TITLE: SR10M/EL2 & C574154B CONNECTOR BRACKET		
MATERIAL: VARIOUS			

W:\SLIPRINGS\bundle\EL2003\C456316A.dwg, 11/2/2022 12:35:19 PM, kdllarsen